

# R854VT



Water  
Management

## Ball valve specific for domestic water, full port

Datasheet  
0640EN  03/2024



Ball valve, with female threaded-press connections (for copper pipe complying with EN 1057; for stainless steel pipe complying with EN 10217-7 and EN 10312; for carbon steel pipe complying with EN 10305-3), for pipes with high insulation thickness, specific for domestic water. Full port.

### Versions and product codes

PRODUCT CODE	CONNECTIONS	TONGS PROFILE	FINISHING	HANDLE TYPE	HANDLE COLOR	NOTES
R854VY102	Rp 1/2" x Ø 18	V - SA - M	Brass	Extended T-handle	Green, red, blue plates	For pipes with high insulation thickness
R854VY103	Rp 1/2" x Ø 15	V - SA - M	Brass	Extended T-handle	Green, red, blue plates	For pipes with high insulation thickness
R854VY104	Rp 3/4" x Ø 22	V - SA - M	Brass	Extended T-handle	Green, red, blue plates	For pipes with high insulation thickness
R854VY105	Rp 1" x Ø 28	V - SA - M	Brass	Extended T-handle	Green, red, blue plates	For pipes with high insulation thickness
R854VY106	Rp 1-1/4" x Ø 35	V - SA - M	Brass	Extended T-handle	Green, red, blue plates	For pipes with high insulation thickness

#### Optional

- R540FY002: red contact thermometer, for installation in extended T-handles, scale 0÷120 °C, Ø 40 mm
- R540FY022: blue contact thermometer, for installation in extended T-handles, scale 0÷120 °C, Ø 40 mm

## Technical data

### Main features and materials

- Specific for domestic water
- Full port
- Valve made of UNI EN 12165 CW617N brass
- Stem with double O-Ring
- Double O-Ring (black) on the press fittings, complies with EN 681-1 standards
- Nut with anti-corrosion coating, with guarantee seal and hologram
- Plastic extended T-handle, with green, red or blue plates
- Pressable with "V", "SA" or "M" profile tongs

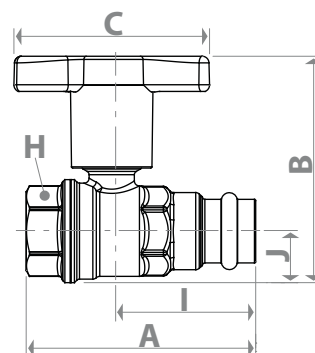


### Field of applications

- Temperature range: 5+110 °C, possibility of 120 °C for short periods of time
- Max. working pressure at 20 °C with water:  
3,5 MPa (35 bar) for Ø 15, Ø 18, Ø 22  
2,8 MPa (28 bar) for Ø 28, Ø 35

## Dimensions and Kv

PRODUCT CODE	DN	A [mm]	I [mm]	B [mm]	J [mm]	C [mm]	H [mm]	Kv
R854VY102	15	80	50	81	17	78	wr.26	12,7
R854VY103	15	80	50	81	17	78	wr.26	12,7
R854VY104	20	92	58	90	21	78	wr.32	24,6
R854VY105	25	102	61	99	25	78	wr.41	48,5
R854VY106	32	112	65	108	30	78	wr.50	98



## Product specifications

### R854VT

Ball valve, with female threaded-press connections (for copper pipe complying with EN 1057; for stainless steel pipe complying with EN 10217-7 and EN 10312; for carbon steel pipe complying with EN 10305-3), for pipes with high insulation thickness, specific for domestic water. Valve made of UNI EN 12165 CW617N brass. Full port. Plastic extended T-handle, with green, red or blue plates. Stem with double O-Ring. Double O-Ring (black) on the press fittings, complies with EN 681-1 standards. Nut with anti-corrosion coating, with guarantee seal and hologram. Temperature range: 5+110 °C, possibility of 120 °C for short periods of time. Max. working pressure at 20 °C with water: 3,5 MPa (35 bar) for Ø 15, Ø 18, Ø 22; 2,8 MPa (28 bar) for Ø 28, Ø 35.

**⚠ Safety Warning.** Installation, commissioning and periodical maintenance of the product must be carried out by qualified operators in compliance with national regulations and/or local standards. A qualified installer must take all required measures, including use of Individual Protection Devices, for his and others' safety. An improper installation may damage people, animals or objects towards which Giacomini S.p.A. may not be held liable.

**♻ Package Disposal.** Carton boxes: paper recycling. Plastic bags and bubble wrap: plastic recycling.

**ℹ Additional information.** For more information, go to [giacomini.com](http://giacomini.com) or contact our technical assistance service. This document provides only general indications. Giacomini S.p.A. may change at any time, without notice and for technical or commercial reasons, the items included herewith. The information included in this technical sheet do not exempt the user from strictly complying with the rules and good practice standards in force.

**♻ Product Disposal.** Do not dispose of product as municipal waste at the end of its life cycle. Dispose of product at a special recycling platform managed by local authorities or at retailers providing this type of service.