

R622



Water
Management

Backflow preventer for hose bib

Datasheet
0145EN  02/2024



Backflow preventer for water connections to the distribution network with plastic pipes (e.g., garden faucets).

Its function is to prevent any return of polluted water to the network, e.g., a garden watering pipe connected to a faucet equipped with a hose holder in case of lack of upstream pressure or back pressure at the outlet, may cause unhealthy water to return to the waterworks.

Typical case is when the pipe is used to fill storage tanks containing standing water or chemicals for agricultural treatments.

A backflow preventer can eliminate any risk of pollution, preventing possible serious water supply damage that would affect the health of the community.

➤ Versions and product codes

PRODUCT CODE	CONNECTIONS
R622X004	G 3/4" F x G 3/4" M

➤ Technical data

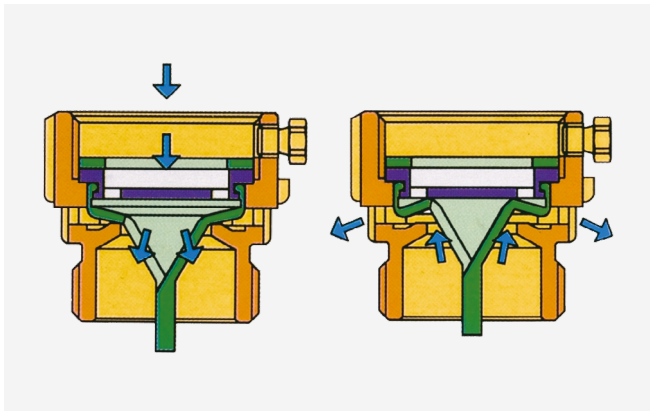
Performance

- Temperature range: 4÷70 °C
- Max. working pressure: 10 bar
- Min. pressure upstream the backflow preventer: 0,21 bar
- Kv: 1,4

Materials

- Body: CW617N - EN 12165 chrome plated brass
- Membrane and seal: rubber NBR
- Separator: POM

Operation

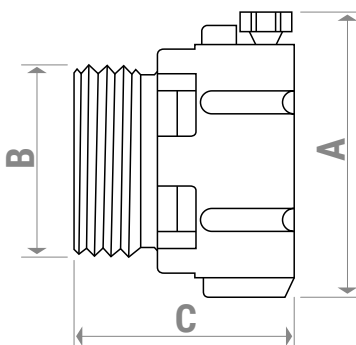


The R622 backflow preventer is directly screwed onto the cock before the swivel that is attached to the hose barb.

The principle of operation is very basic: a special internal membrane allows the flow of water only from the cock to the pipe; in case the fluid tries to return to the distribution network, the membrane opens ventilation slots located on the body of the backflow preventer, resulting in the outward discharge of the fluid.

The protuberance of the membrane located at the bottom of the backflow preventer is used in the winter period to drain the water remaining in the body of the cock, avoiding the risk of freezing.

Dimensions



PRODUCT CODE	A x B	C (MIN-MAX)
R622X004	G 3/4" F x G 3/4" M	30÷31

Product specifications

R622

Backflow preventer for water connections to the distribution network with plastic pipes. Connections G 3/4" F x G 3/4" M. Temperature range 4÷70 °C. Max. working pressure 10 bar. Min. pressure upstream the backflow preventer 0,21 bar. Kv: 1,4. Body: CW617N - EN 12165 chrome plated brass. Membrane and seal: rubber NBR. Separator: POM.

⚠ Safety Warning. Installation, commissioning and periodical maintenance of the product must be carried out by qualified operators in compliance with national regulations and/or local standards. A qualified installer must take all required measures, including use of Individual Protection Devices, for his and others' safety. An improper installation may damage people, animals or objects towards which Giacomini S.p.A. may not be held liable.

♻ Package Disposal. Carton boxes: paper recycling. Plastic bags and bubble wrap: plastic recycling.

ℹ Additional information. For more information, go to giacomini.com or contact our technical assistance service. This document provides only general indications. Giacomini S.p.A. may change at any time, without notice and for technical or commercial reasons, the items included herewith. The information included in this technical sheet do not exempt the user from strictly complying with the rules and good practice standards in force.

♻ Product Disposal. Do not dispose of product as municipal waste at the end of its life cycle. Dispose of product at a special recycling platform managed by local authorities or at retailers providing this type of service.