

R619, R620, R621



Water
Management

Hose bibs, standard port

Datasheet
0147EN  01/2024



R619



R620



R621

Hose bibs with threaded male-hose connections. Standard port.

Versions and product code

SERIES	PRODUCT CODE	CONNECTIONS	FINISHING	HANDLE TYPE	HANDLE COLOUR	PACKAGING
R619	R619X103	R 1/2" x Hose connection Ø 15 mm	Chrome plated brass	Short lever	Red	Standard
	R620X003	R 1/2" x Hose connection Ø 15 mm	Chrome plated brass	T-handle	Red	
R620	R620X014	R 3/4" x Hose connection Ø 20 mm	Chrome plated brass	T-handle	Red	Standard
	R620X015	R 1" x Hose connection Ø 26 mm	Chrome plated brass	T-handle	Red	
R621	R621X003	R 1/2" x Hose connection Ø 15 mm	Chrome plated brass	Lever	Red	
	R621X014	R 3/4" x Hose connection Ø 20 mm	Chrome plated brass	Lever	Red	Standard
	R621X015	R 1" x Hose connection Ø 26 mm	Chrome plated brass	Lever	Red	
	R621X003	R 1/2" x Hose connection Ø 15 mm	Chrome plated brass	Lever	Red	
	R621X014	R 3/4" x Hose connection Ø 20 mm	Chrome plated brass	Lever	Red	Bulk

Optional

- R625X003: nut + hose connection for bibs R620X003, R621X003
- R625X014: nut + hose connection for bibs R620X014, R621X014
- R625X015: nut + hose connection for bibs R620X015, R621X015

Technical data

Main features and materials

- Suitable for hot domestic water
- Standard port
- Bibs made of UNI EN 12165 CW617N chrome plated brass
- Stem with double O-Ring
- Nut with anti-corrosion coating, with guarantee seal and hologram (except R619)
- Short aluminium lever handle, red painted (R619)
- Aluminium T-handle, red painted (R620)
- Steel lever handle with anti-corrosion treatment and red PVC coating (R621)

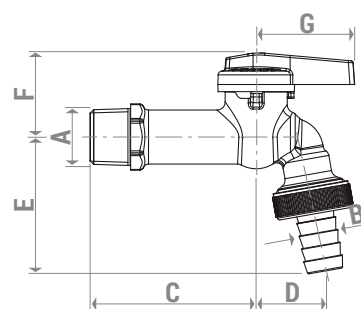
Fields of application

- Min. working temperature: 5 °C
- Max. working temperature: 90 °C
- Max. working pressure at 20 °C with water: 1,0 MPa (10 bar)

Dimensions

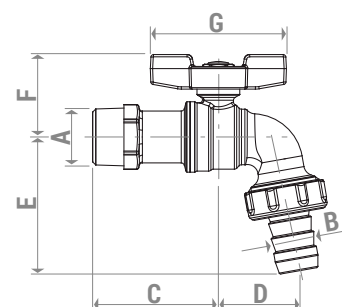
R619

PRODUCT CODE	DN	A [mm]	B [mm]	C [mm]	D [mm]	E [mm]	F [mm]	G [mm]	Kv
R619IX103	10	R 1/2"	Ø 15	62	25	51	31	37	6,7



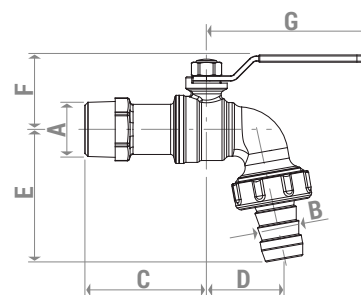
R620

PRODUCT CODE	DN	A [mm]	B [mm]	C [mm]	D [mm]	E [mm]	F [mm]	G [mm]	Kv
R620X003	10	R 1/2"	Ø 15	52	30	52	29	64	6,7
R620X014	15	R 3/4"	Ø 20	58	37	63	38	62	12,7
R620X015	18	R 1"	Ø 26	74	44	74	42	72	18,5



R621

PRODUCT CODE	DN	A [mm]	B [mm]	C [mm]	D [mm]	E [mm]	F [mm]	G [mm]	Kv
R621X003	10	R 1/2"	Ø 15	52	30	52	29	76	6,7
R621X014	15	R 3/4"	Ø 20	58	37	63	38	76	12,7
R621X015	18	R 1"	Ø 26	74	44	74	42	94	18,5
R621X043	10	R 1/2"	Ø 15	52	30	52	29	76	6,7
R621X044	15	R 3/4"	Ø 20	58	37	63	38	76	12,7



Product specifications

R619


Hose bib with threaded male-hose connections. Made of UNI EN 12165 CW617N chrome plated brass. Standard port. Short aluminium lever handle, red painted. Stem with double O-Ring. Min. working temperature: 5 °C. Max. working temperature: 90 °C. Max. working pressure at 20 °C with water: 1,0 MPa (10 bar).


R620


Hose bib with threaded male-hose connections. Made of UNI EN 12165 CW617N chrome plated brass. Standard port. Aluminium T-handle, red painted. Stem with double O-Ring. Nut with anti-corrosion coating, with guarantee seal and hologram. Min. working temperature: 5 °C. Max. working temperature: 90 °C. Max. working pressure at 20 °C with water: 1,0 MPa (10 bar).

R621

Hose bib with threaded male-hose connections. Made of UNI EN 12165 CW617N chrome plated brass. Standard port. Steel lever handle with anti-corrosion treatment and red PVC coating. Stem with double O-Ring. Nut with anti-corrosion coating, with guarantee seal and hologram. Min. working temperature: 5 °C. Max. working temperature: 90 °C. Max. working pressure at 20 °C with water: 1,0 MPa (10 bar).

 **Safety Warning.** Installation, commissioning and periodical maintenance of the product must be carried out by qualified operators in compliance with national regulations and/or local standards. A qualified installer must take all required measures, including use of Individual Protection Devices, for his and others' safety. An improper installation may damage people, animals or objects towards which Giacomini S.p.A. may not be held liable.

 **Package Disposal.** Carton boxes: paper recycling. Plastic bags and bubble wrap: plastic recycling.

 **Additional information.** For more information, go to giacomini.com or contact our technical assistance service. This document provides only general indications. Giacomini S.p.A. may change at any time, without notice and for technical or commercial reasons, the items included herewith. The information included in this technical sheet do not exempt the user from strictly complying with the rules and good practice standards in force.

 **Product Disposal.** Do not dispose of product as municipal waste at the end of its life cycle. Dispose of product at a special recycling platform managed by local authorities or at retailers providing this type of service.