

**R60W**

**Description**

Disc type check valve.

**Technical data**

**Max. working conditions with water**

- Max. working temperature: 120 °C
- Nominal pressure: 16 bar
- Max. working pressure (continuous): 11 bar

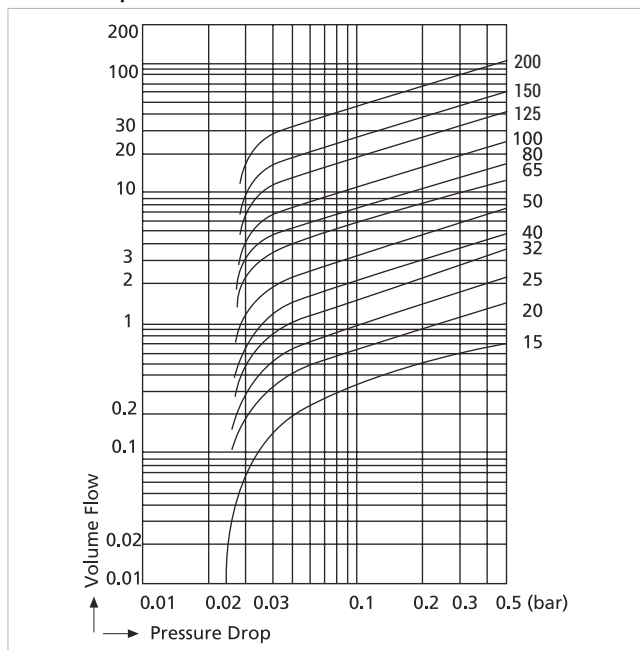
**Applicable EU Directives**

- Fluids of use: group 2 - liquid and gases (2014/68/EU PED)

**Materials**

- Body: brass (DN15÷DN100); stainless steel (DN125÷DN200)
- Disc: stainless steel
- Spring: stainless steel
- Guide: stainless steel

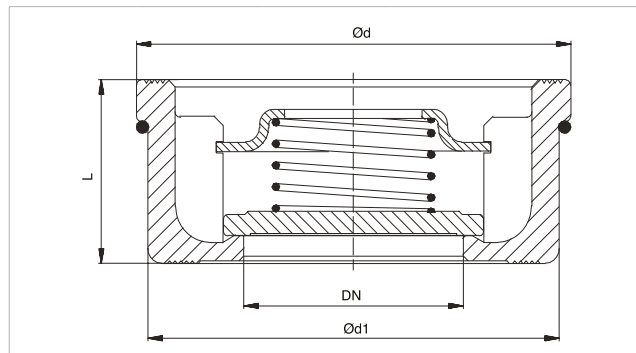
**Pressure drop**



**Versions and product codes**

Product code	Size	Net weight [kg]
R60WY000	DN15	0,10
R60WY001	DN20	0,20
R60WY002	DN25	0,30
R60WY003	DN32	0,50
R60WY004	DN40	0,60
R60WY005	DN50	1,00
R60WY006	DN65	1,40
R60WY008	DN80	2,10
R60WY010	DN100	3,20
R60WY012	DN125	8,00
R60WY015	DN150	12,00
R60WY020	DN200	21,00

**Dimensions**



Product code	Size	L [mm]	Ød [mm]	Ød1 [mm]
R60WY000	DN15	16	40	15
R60WY001	DN20	19	47	20
R60WY002	DN25	22	56	25
R60WY003	DN32	28	72	32
R60WY004	DN40	31,5	82	39
R60WY005	DN50	40	95	48
R60WY006	DN65	46	115	64
R60WY008	DN80	50	132	74
R60WY010	DN100	60	152	89
R60WY012	DN125	90	184	112
R60WY015	DN150	106	209	132
R60WY020	DN200	140	264	175

**Additional information**

For more information, go to [www.giacomini.com](http://www.giacomini.com) or contact our technical assistance service: ☎ +39 0322 923372 📠 +39 0322 923255 ✉ [consulenza.prodotti@giacomini.com](mailto:consulenza.prodotti@giacomini.com)  
 This document provides only general indications. Giacomini S.p.A. may change at any time, without notice and for technical or commercial reasons, the items included herewith.  
 The information included in this technical sheet do not exempt the user from strictly complying with the rules and good practice standards in force.  
 Giacomini S.p.A. Via per Alzo, 39 - 28017 San Maurizio d'Opaglio (NO) Italy