

R580C, R585C



Water
Management

Modular brass manifolds for domestic water, outlets 1/2" and 3/4"E

Datasheet
0687EN  01/2024



R580C



R585C

Modular manifolds for domestic water, made of brass, with or without shut-off cocks. The manifolds with shut-off cocks are equipped with manual handwheels with identification plates for the various usage points. Optionally, end caps, ball valves and cabinet can be ordered to complete the manifolds.

Versions and product codes

R580C - simple

PRODUCT CODE	CONNECTIONS MANIFOLD x OUTLETS	N. OF OUTLETS
R580CY062		2
R580CY063	G 3/4" x G 1/2" Ø adaptor seat 16 mm	3
R580CY064		4
R580CY052		2
R580CY053	G 1" x 3/4"E Ø adaptor seat 18 mm	3
R580CY054		4

R585C - with shut-off cocks

PRODUCT CODE	CONNECTIONS MANIFOLD x OUTLETS	N. OF OUTLETS
R585CY062		2
R585CY063	G 3/4" x G 1/2" Ø adaptor seat 16 mm	3
R585CY064		4

Completion codes

- R599: plastic cabinet with lid, depth 90 mm
- R598K: pair of plastic supports for R599 cabinet
- R595: plastic cabinet with lid, depth 90 mm
- R598: pair of plastic supports for R595 cabinet
- R592D: brass end plug, male thread, with self-sealing gasket
- R594: brass end cap, female thread, with gasket
- Shut-off ball valves

- **R179E:** adaptors (Ø seat 16 mm) for plastic or multilayer pipes
 - R179EY052: 1/2" x (16 x 1,8)
 - R179EY055: 1/2" x (16 x 2)
 - R179EY056: 1/2" x (16 x 2,2)
 - R179EY058: 1/2" x (16,2 x 2,6)
 - R179EX021: 3/4"E x (12 x 1,5)
 - R179EX023: 3/4"E x (14 x 2)
 - R179EX022: 3/4"E x (16 x 1,5)
 - R179EY028: 3/4"E x (16 x 1,8)
 - R179EX024: 3/4"E x (16 x 2)
 - R179EX025: 3/4"E x (17 x 2)
 - R179EX026: 3/4"E x (18 x 2)
 - R179EX027: 3/4"E x (20 x 2)

- **R178E:** adaptors (Ø seat 16 mm) for copper pipes
 - R178EY121: 1/2" x 10
 - R178EY122: 1/2" x 12
 - R178EY123: 1/2" x 14
 - R178EY124: 1/2" x 15
 - R178EY125: 1/2" x 16
 - R178EX112: 3/4"E x 12
 - R178EX113: 3/4"E x 14
 - R178EX104: 3/4"E x 15
 - R178EX115: 3/4"E x 16
 - R178EX116: 3/4"E x 18

- **RM179E:** multi-jaw press fittings (Ø seat 16 mm) for plastic or multilayer pipes
 - RM179Y113: 1/2" x (16 x 2)
 - RM179Y116: 1/2" x (20 x 2)
 - RM179X103: 3/4"E x (16 x 2)
 - RM179X106: 3/4"E x (20 x 2)

➤ Technical data

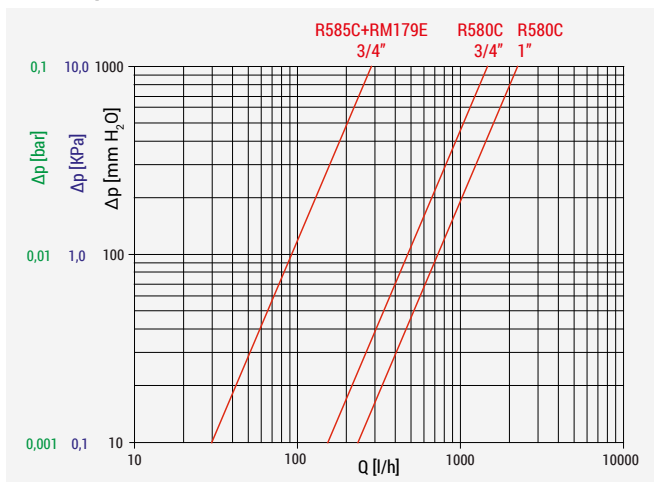
Characteristics

- Fluids of use: water, glycol solutions (max. 30 % of glycol)
- Temperature range: 5÷100 °C
- Max working pressure: 10 bar
- Outlets center distance:
 - manifolds R580C size G 3/4" x 1/2": 35 mm
 - manifolds R580C size G 1" x 3/4"E: 40 mm
 - manifolds R585C size G 3/4" x 1/2": 35 mm
- Shut-off cocks with manual handwheel (R585C)

Materials

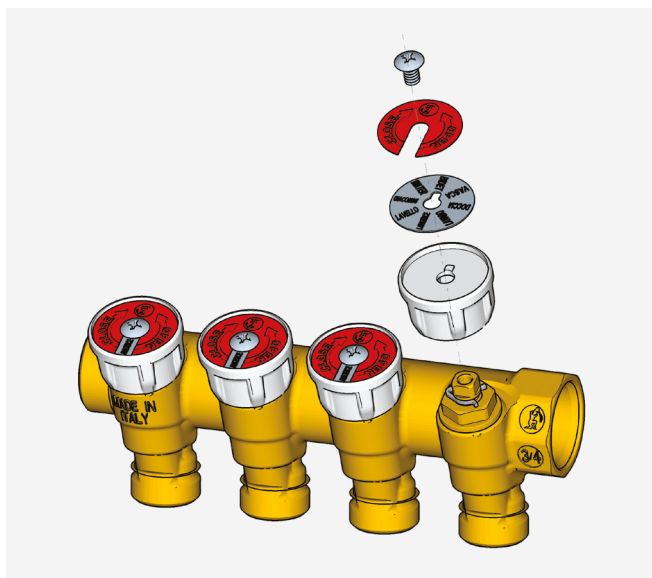
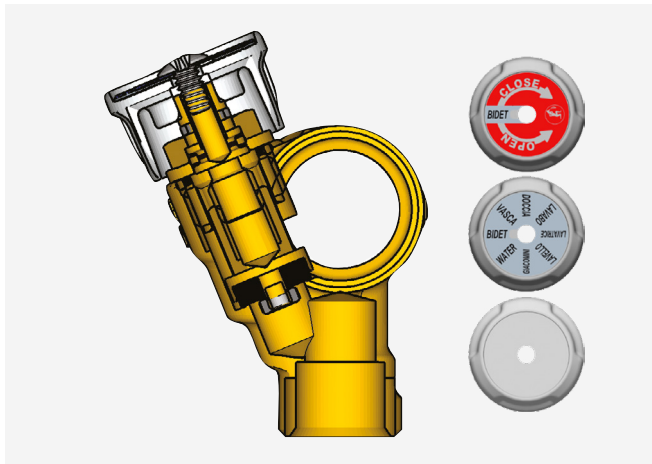
- Manifold body: CW617N - UNI EN 12165 brass
- Stopper: CW614N - UNI EN 12164 brass
- Handwheel: ABS (R585C)
- Handwheel plates: aluminium (R585C)

Loss of pressure

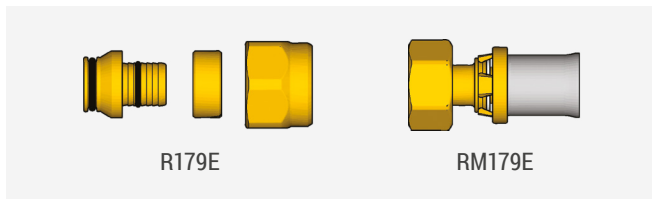


PRODUCT CODE	SIZE	Kv
R580C	G 3/4" x G 1/2"	5,11
R580C	G 1" x 3/4"E	6,93
R585C + RM179Y113 adaptor	G 3/4" x G 1/2"	0,95

➤ Main features



Adaptors for connecting piping to the manifold outlets



The manifolds are produced using a moulded body, which gives them a combination of extreme solidity and reduced roughness, obtained by machining to remove burrs on all interior surfaces.

When looking at a cross-section of the R585C manifold, it is evident that the connecting sections have been designed to obtain the widest passage possible. In addition, the reliability of the shutter closure is guaranteed by the presence of an EPDM gasket for the front seal.

The shut-off valve is made in two pieces, so the bulk of the manifold is independent of the shutter position and does not obstruct it; this feature ensures that under normal operating conditions (i.e. with the shut-off cocks fully or partially open) the handwheels do not prevent the containment cabinet door from closing properly.

On modular manifolds no surface finishing treatment is used, with a view to minimizing the amount of impurities in the alloy, thus complying with the requirements set out by the European Directive EC 98/83.

The handwheels of the R585C manifolds are connected to the shut-off valve by a screw and are equipped with two plates:

- one indicates the corresponding user;
- the other, red or blue, overlaps the first one and promptly displays whether hot or cold domestic water is flowing inside the manifold.

This enables to streamline the quantity of stocked products.

NOTE.

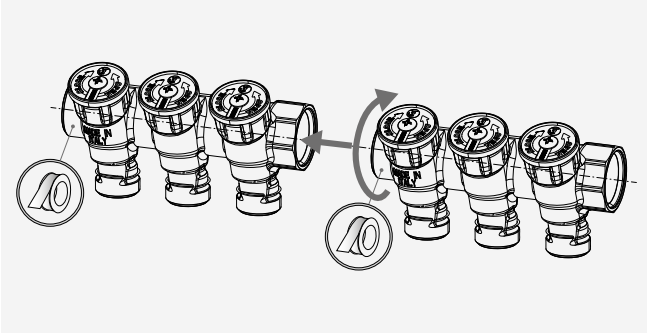
- With manifolds R580CY062, R580CY063, R580CY064, R585CY062, R585CY063, R585CY064 (adaptor seat \varnothing 16 mm) only adaptors R179EY052, R179EY055, R179EY056, R179EY058, RM179Y113, RM179Y116, R178EY121, R178EY122, R178EY123, R178EY124, R178EY125 can be used.

- With manifolds R580CY052, R580CY053, R580CY054 only adaptors R179EX021, R179EX022, R179EX023, R179EX024, R179EX025, R179EX026, R179EX027, R179EY028, RM179X103, RM179X106, R178EX112, R178EX113, R178EX104, R178EX115, R178EX116 can be used.

Installation

▲ WARNING. Installation must be carried out by qualified operators according to the instructions provided.

Assembling manifolds



The modular manifolds, available in versions with 2 to 4 outlets, are supplied disassembled.

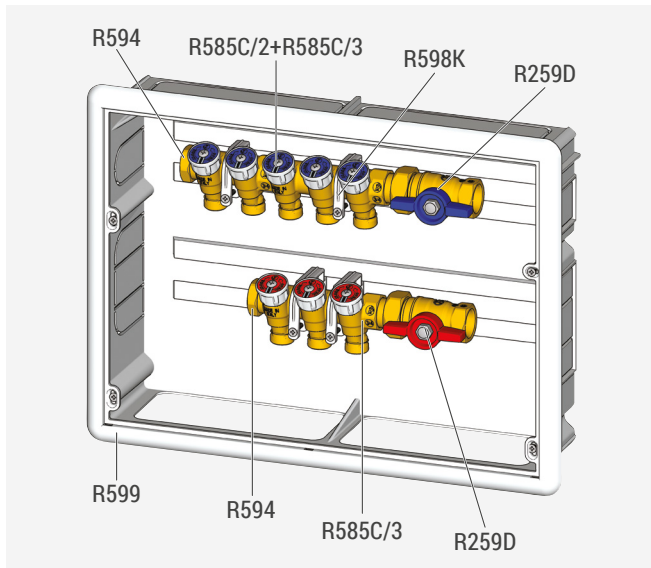
To assemble them screw manually until they are perfectly aligned.

To ensure hydraulic sealing, use hemp or PTFE on the male thread of the manifold.

Once screwed together, do not unscrew the manifolds to avoid compromising the hydraulic seal.

If necessary, reposition the hemp or PTFE on the male thread before screwing them in again.

Installation in R599 cabinet



The assembly of the manifolds inside the R599 cabinet using the appropriate R598K sliding supports is carried out using horizontal guide rails, and therefore without constraints on positioning. In addition, by taking advantage of the large openings in the lower part of the cabinet, users can easily install manifolds with different center distances.

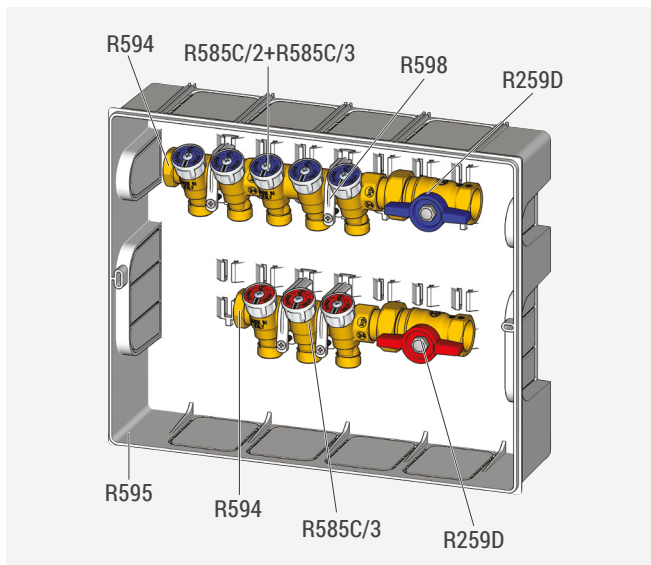
The cabinet door can be opened without the need of special tools, with a view to enabling rapid intervention to be carried out on the shut-off cocks, whilst closure is maintained by the solid joints attached to the surface of the frame.

The example image shows the R585C manifolds with R594 end caps and R259D ball valves, installed in the R599 cabinet.

For cold domestic water are used two R585C manifolds with 2 and 3 outlets, mounted in series with each other.

For hot domestic water is used a R585C manifold with 3 outlets.

Installation in R595 cabinet



▲ WARNING. In the R595 cabinets can be fitted only the manifolds of 3/4" size and center distance of 35 mm.

The manifolds (3/4", center distance 35 mm) can also be assembled in R595 cabinets, using the R598 supports.

In this case, the supports are attached to the fixed guides in the cabinet, for this reason only manifolds with a center distance of 35 mm can be fitted into these cabinets.

The opening and closure of the door is performed by loosening and tightening the screws provided with the cabinet.

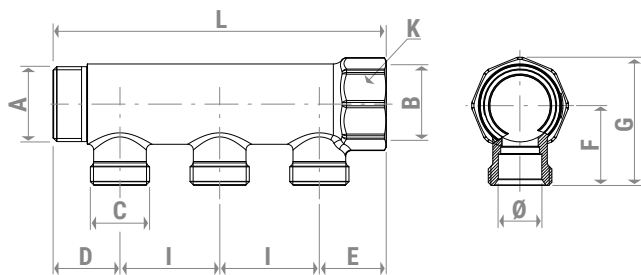
The example image shows the R585C manifolds with R594 end caps and R259D ball valves, installed in the R595 cabinet.

For cold domestic water are used two R585C manifolds with 2 and 3 outlets, mounted in series with each other.

For hot domestic water is used a R585C manifold with 3 outlets.

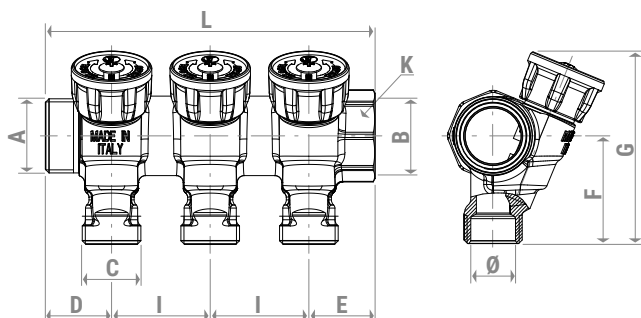
➤ Dimensions

R580C



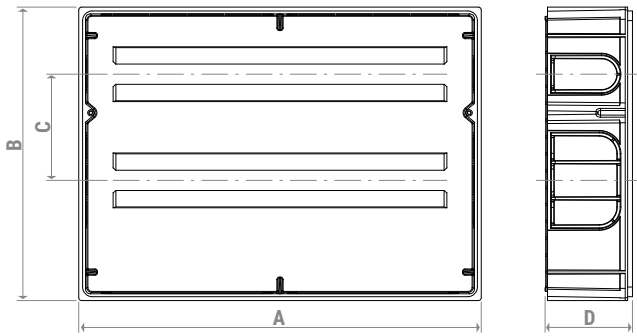
PRODUCT CODE	N. OF OUTLETS	A	B	C [mm]	Ø [mm]	D [mm]	E [mm]	F [mm]	G [mm]	I [mm]	K [mm]	L [mm]
R580CY062	2											82
R580CY063	3	G 3/4"M	G 3/4"F	G 1/2"	16	23,5	23,5	28,5	45	35	wr.31	117
R580CY064	4											152
R580CY052	2											92
R580CY053	3	G 1"M	G 1"F	3/4"E	18	26	26	33	53	40	wr.38	132
R580CY054	4											172

R585C



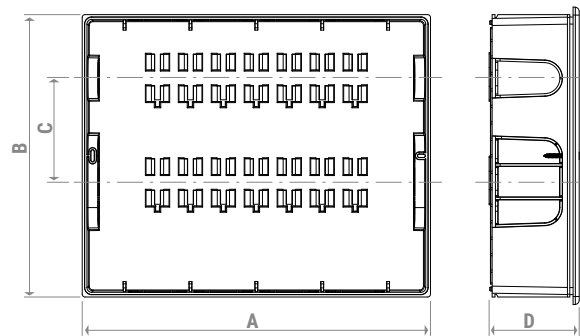
PRODUCT CODE	N. OF OUTLETS	A	B	C [mm]	Ø [mm]	D [mm]	E [mm]	F [mm]	G [mm]	I [mm]	K [mm]	L [mm]
R585CY062	2											82
R585CY063	3	G 3/4"M	G 3/4"F	G 1/2"	16	23,5	23,5	28,5	69	35	wr.31	117
R585CY064	4											152

R599



PRODUCT CODE	A [mm]	B [mm]	C [mm]	D [mm]
R599Y001	417	304	110	90

R595



PRODUCT CODE	A [mm]	B [mm]	C [mm]	D [mm]
R595AY001	370	300	110	90
R595BY001	520	300	110	90
R595CY001	670	300	110	90

➤ Product specifications

R580C - outlets 1/2" or 3/4"E

Modular simple brass manifold for domestic water systems. Connections: G 3/4" x G 1/2" or G 1" x 3/4"E. Available from 2 to 4 outlets. Fluids of use: water, glycol solution (max. 30 % glycol). Temperature range: 5÷100 °C. Max working pressure: 10 bar. Outlets center distance: 35 mm for G 3/4" x G 1/2"; 40 mm for G 1" x 3/4"E. Manifold body: CW617N - UNI EN 12165 brass. Stopper: CW614N - UNI EN 12164 brass.

R585C - outlets 1/2" or 3/4"E

Modular brass manifold for domestic water systems, with shut-off cocks. Connections: G 3/4" x G 1/2". Available from 2 to 4 outlets. Equipped with manual handwheels with identification plates for the various usage points. Fluids of use: water, glycol solution (max. 30 % glycol). Temperature range: 5÷100 °C. Max working pressure: 10 bar. Outlets center distance: 50 mm. Manifold body: CW617N - UNI EN 12165 brass. Handwheel plates: aluminium. Stopper: CW614N - UNI EN 12164 brass.

⚠ Safety Warning. Installation, commissioning and periodical maintenance of the product must be carried out by qualified operators in compliance with national regulations and/or local standards. A qualified installer must take all required measures, including use of Individual Protection Devices, for his and others' safety. An improper installation may damage people, animals or objects towards which Giacomini S.p.A. may not be held liable.

♻ Package Disposal. Carton boxes: paper recycling. Plastic bags and bubble wrap: plastic recycling.

ℹ Additional information. For more information, go to giacomini.com or contact our technical assistance service. This document provides only general indications. Giacomini S.p.A. may change at any time, without notice and for technical or commercial reasons, the items included herewith. The information included in this technical sheet do not exempt the user from strictly complying with the rules and good practice standards in force.

♻ Product Disposal. Do not dispose of product as municipal waste at the end of its life cycle. Dispose of product at a special recycling platform managed by local authorities or at retailers providing this type of service.