

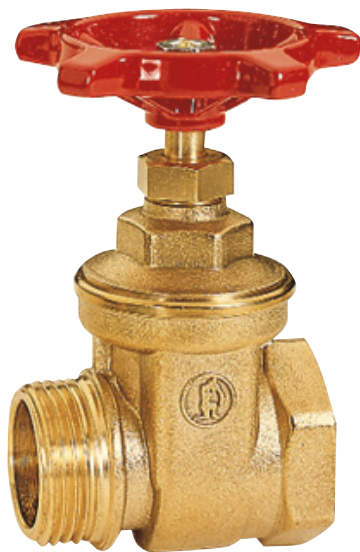
R54

Gate valve



Energy
Management

Datasheet
0633EN 03/2023



Gate valve with female-male connections.
Suitable for use with cold water, hot water and steam at low pressure.

It satisfies the requirements of PED 2014/68/UE Directive, according to which, it is exempted from CE marking according to 4.3 paragraph.

➤ Versions and product codes

PRODUCT CODE	CONNECTIONS	USE
R54Y004	G 3/4"F x G 3/4"M	
R54Y005	G 1"F x G 1"M	Plumbing systems
R54Y006	G 1-1/4"F x G 1-1/4"M	

➤ Technical data

Main features and materials

- Suitable for plumbing systems.
- Body: UNI EN 12165 - CW617N brass.
- Particulars in forged brass (UNI EN 12165 - CW617N) and machined from bar (UNI EN 12164 - CW614N).
- PTFE external sealing.
- Handwheel: aluminium.
- Zinc plated steel nut for fixing of the handwheel.

Field of applications

- Temperature range: 5+110 °C (41+230 °F)
- Max. working pressure:
16 bar / 232 psi (a 23 °C / 73 °F)
10 bar / 145 psi (a 95 °C / 203 °F)

Installation

Gate valves can be installed horizontally or vertically.

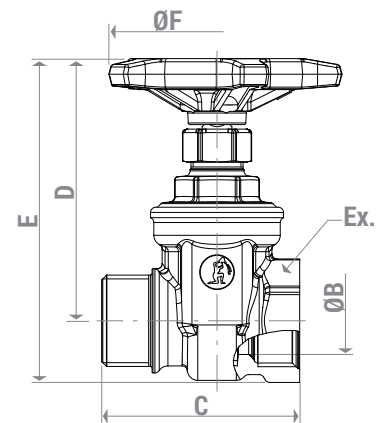
The slow and proportional manoeuvre avoid the water hammer phenomenon.

Pay attention during the installation phase avoiding forcing the pipe screwing and deforming the sealing seats.

Gate valves can also work in intermediate positions of the stroke, so as to parzialize the flow into pipes.

Dimensions and Kv

PRODUCT CODE	CONNECTIONS	ØB [mm]	C [mm]	D [mm]	EX. [mm]	E [mm]	ØF [mm]	Kv
R54Y004	G 3/4"F x G 3/4"M	19	57	76	33	94	72	36
R54Y005	G 1"F x G 1"M	25	60	87	40	109	72	61
R54Y006	G 1-1/4"F x G 1-1/4"M	32	71	103	49	130	84	90



Product specifications

R54

Gate valve with female-male threads connections. Suitable for use with cold water, hot water and steam at low pressure. Body: brass UNI EN 12165 - CW617N. Particulars in forged brass (UNI EN 12165 - CW617N) and machined from bar (UNI EN 12164 - CW614N). PTFE external sealing. Handwheel: alluminium. Zinc plated steel nut for fixing of the handwheel. Temperature range 5÷110 °C (41÷230 °F). Max. working pressure 16 bar / 232 psi (a 23 °C / 73 °F); 10 bar / 145 psi (a 95 °C / 203 °F). It satisfies the requirements of PED 2014/68/UE Directive, according to which, it is exempted from CE marking according to 4.3 paragraph.

⚠ Safety Warning. Installation, commissioning and periodical maintenance of the product must be carried out by qualified operators in compliance with national regulations and/or local standards. A qualified installer must take all required measures, including use of Individual Protection Devices, for his and others' safety. An improper installation may damage people, animals or objects towards which Giacomini S.p.A. may not be held liable.

♻ Package Disposal. Carton boxes: paper recycling. Plastic bags and bubble wrap: plastic recycling.

ℹ Additional information. For more information, go to giacomini.com or contact our technical assistance service. This document provides only general indications. Giacomini S.p.A. may change at any time, without notice and for technical or commercial reasons, the items included herewith. The information included in this technical sheet do not exempt the user from strictly complying with the rules and good practice standards in force.

♻ Product Disposal. Do not dispose of product as municipal waste at the end of its life cycle. Dispose of product at a special recycling platform managed by local authorities or at retailers providing this type of service.