

R254W



Water
Management

Ball valve specific for domestic water, standard port

Datasheet
0607EN  08/2023



Ball valve, with female-male connections, specific for domestic water.
Standard port.

Versions and product codes

PRODUCT CODE	CONNECTIONS	FINISHING	HANDLE TYPE	HANDLE COLOR
R254WX022	Rp 3/8" x R 3/8"	Nickel plated brass	T-handle	Green
R254WX023	Rp 1/2" x R 1/2"	Nickel plated brass	T-handle	Green
R254WX024	Rp 3/4" x R 3/4"	Nickel plated brass	T-handle	Green
R254WX025	Rp 1" x R 1"	Nickel plated brass	T-handle	Green
R254WX026	Rp 1-1/4" x R 1-1/4"	Nickel plated brass	T-handle	Green

Technical data

Main features and materials

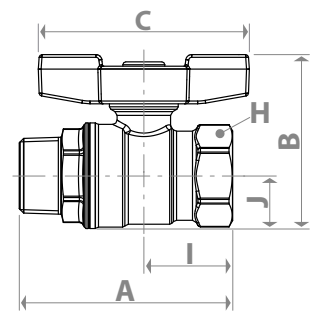
- Specific for domestic water
- Standard port
- Valve made of UNI EN 12165 CW617N Nickel plated brass
- Stem with double O-Ring
- Nut with anti-corrosion coating, with guarantee seal and hologram
- Aluminium T-handle, green painted

Field of applications

- Temperature range: 5+120 °C
- Max. working pressure at 20 °C with water and not dangerous gas:
4,2 MPa (42 bar) for 3/8", 1/2", 3/4"
3,5 MPa (35 bar) for 1", 1-1/4"

Dimensions and Kv

PRODUCT CODE	DN	A [mm]	I [mm]	B [mm]	J [mm]	C [mm]	H [mm]	Kv
R254WX022	10	55	22	46	14	63	wr.21	6,7
R254WX023	14	64	27	51	15	63	wr.25	10,2
R254WX024	18	76	31	60	18	73	wr.32	18,5
R254WX025	22	89	38	69	23	73	wr.39	36,3
R254WX026	28	100	42	78	28	73	wr.48	73,5



Product specifications

R254W

Ball valve, with female-male threaded connections. Specific for domestic water. Valve made of UNI EN 12165 CW617N Nickel plated brass. Standard port. Aluminium T-handle, green painted. Stem with double O-Ring. Nut with anti-corrosion coating, with guarantee seal and hologram. Temperature range: 5+120 °C. Max. working pressure at 20 °C with water and not dangerous gas: 4,2 MPa (42 bar) for 3/8", 1/2", 3/4"; 3,5 MPa (35 bar) for 1", 1-1/4".

⚠ Safety Warning. Installation, commissioning and periodical maintenance of the product must be carried out by qualified operators in compliance with national regulations and/or local standards. A qualified installer must take all required measures, including use of Individual Protection Devices, for his and others' safety. An improper installation may damage people, animals or objects towards which Giacomini S.p.A. may not be held liable.

♻ Package Disposal. Carton boxes: paper recycling. Plastic bags and bubble wrap: plastic recycling.

ℹ Additional information. For more information, go to giacomini.com or contact our technical assistance service. This document provides only general indications. Giacomini S.p.A. may change at any time, without notice and for technical or commercial reasons, the items included herewith. The information included in this technical sheet do not exempt the user from strictly complying with the rules and good practice standards in force.

♻ Product Disposal. Do not dispose of product as municipal waste at the end of its life cycle. Dispose of product at a special recycling platform managed by local authorities or at retailers providing this type of service.