



**A85**

**A86**

**Description**

Casted bronze globe hose valve, straight pattern for the control of the flow of water from a pipe out to the valve and usually along a standpipe riser. Turning the handle of the hose valve allows the water to flow out from the valve, or shuts it off to prevent any more water from running out.

It is used with a Fire Hose Rack Assembly, or as a Fire Department outlet connection.

2 1/2" NPT inlet and 2 1/2" Female NPT outlet (A85) or 2 1/2" male hose thread outlet (A86). 175 lbs rated. With red handweel.

**Versions and product codes**

Series	Size	Type	Finishing
A85	2 1/2" x 2 1/2"	NPT inlet (F) x NPT outlet (F)	Rough bronze
A86	2 1/2" x 2 1/2"	NPT inlet (F) x Hose thread outlet (M)	Rough bronze

**Technical data**

- Rated pressure: 175 PSI (12 bar)

**Materials**

- Body: casted Bronze CB491K UNI EN1982-2000
- Tensile strength of the material in the shape of bar: min. 220 MPa
- Stress for permanent distortion R(0.2): min. 110 MPa
- Elongation: min. 6 %
- Shutter: forged brass CuZn40Pb2 in accordance with European Standard EN 12165 CW617N, similar to American Standard ASTM B124 C37700
- Stem: brass EN 12164 CW614N similar to American Standard ASTM B124 C37700
- Handwheel: red painted aluminium

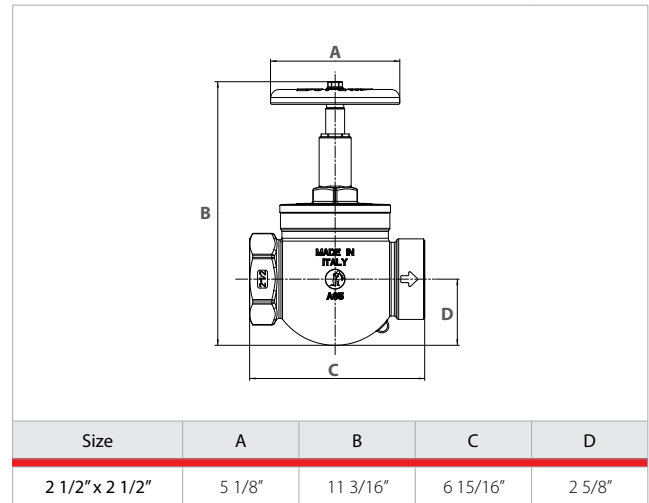
**Approvals: A85 and A86**



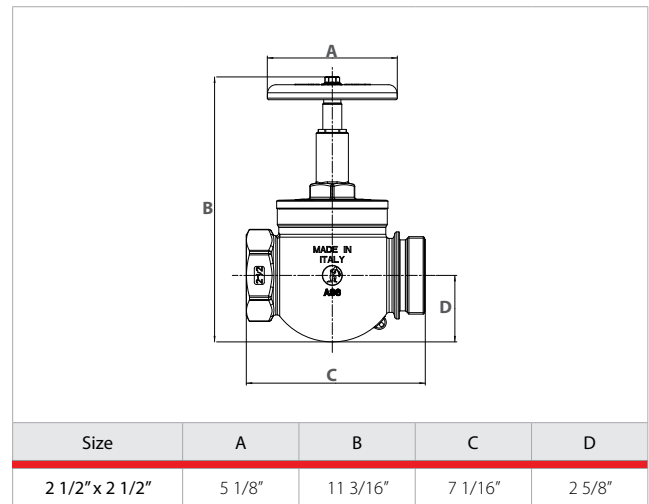
Certified as pressure restricting valve with shut off feature

**Dimensions**

**A85 - FEMALE NPT THREAD x FEMALE NPT THREAD**



**A86 - FEMALE NPT THREAD x MALE HOSE THREAD**



**Product specifications**

**A85**

Straight Globe Hose Valve, used with fire hose rack assembling or as Fire Department outlet connection with main feature as following:

- Casted bronze body
- Forged brass shutter
- 2 1/2" female NPT inlet
- 2 1/2" female NPT outlet
- Aluminum red painted hand wheel
- Rated pressure 175 psi
- UL-ULC listed

**A86**

Straight Globe Hose Valve, used with fire hose rack assembling or as Fire Department outlet connection with main feature as following:

- Casted bronze body
- Forged brass shutter
- 2 1/2" female NPT inlet
- 2 1/2" male hose thread outlet
- Aluminum red painted hand wheel
- Rated pressure 175 psi
- UL-ULC listed



**Additional information**

For additional information please check the website [www.giacomini.com](http://www.giacomini.com) or contact the technical service: ☎ +39 0322 923372 📠 +39 0322 923255 ✉ [consulenza.prodotti@giacomini.com](mailto:consulenza.prodotti@giacomini.com)  
This pamphlet is merely for information purposes. Giacomini S.p.A. retains the right to make modifications for technical or commercial reasons, without prior notice, to the items described in this pamphlet. The information described in this technical pamphlet does not exempt the user from following carefully the existing regulations and norms on good workmanship.  
Giacomini S.p.A. Via per Alzo, 39 - 28017 San Maurizio d'Opaglio (NO) Italy