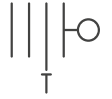


A830



Fire
Protection

Ball valve for fire protection applications with water, full port

Datasheet
1173EN  08/2025



Ball valve, with female-female threaded connections. Full Port.

In compliance with UL 258:2025 and FM Class 1140 for fire protection applications with water.

Made of DZR (dezincification resistant) low lead brass.

Versions and codes

PRODUCT CODE	CONNECTIONS	FINISHING	HANDLE TYPE	HANDLE COLOR
A830UY001	1/4"NPT-F x 1/4"NPT-F	Brass	Lever	Red
A830UY002	3/8"NPT-F x 3/8"NPT-F	Brass	Lever	Red
A830UY003	1/2"NPT-F x 1/2"NPT-F	Brass	Lever	Red
A830UY004	3/4"NPT-F x 3/4"NPT-F	Brass	Lever	Red
A830UY005	1"NPT-F x 1"NPT-F	Brass	Lever	Red
A830UY006	1-1/4"NPT-F x 1-1/4"NPT-F	Brass	Lever	Red
A830UY007	1-1/2"NPT-F x 1-1/2"NPT-F	Brass	Lever	Red
A830UY008	2"NPT-F x 2"NPT-F	Brass	Lever	Red

➤ Technical data

Main features and materials

- Suitable for fire protection applications with water
- Full port
- Valve made of DZR UNI EN 12165 CW724R low lead brass
- Ball made of DZR UNI EN 12165 CW602N chrome plated brass
- Stem with double O-Ring
- Nut with anti-corrosion coating, with guarantee seal and hologram
- Steel lever handle with anti-corrosion treatment and red PVC coating

Approvals

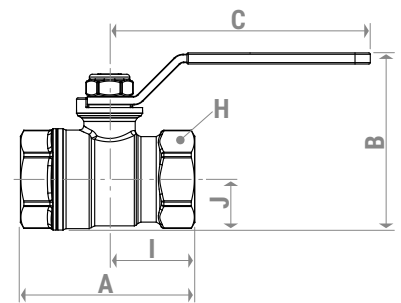
- UL 258:2025
- FM Class 1140

Field of applications

- Min. working temperature: 4 °C (areas exposed to low temperature shall be protected against freezing - NFPA13)
- Max. working pressure at 20 °C with water:
42 bar for 1/4", 3/8", 1/2", 3/4", 1", 1-1/4", 1-1/2"
21 bar for 2"

➤ Dimensions and Kv

PRODUCT CODE	DN	A [mm]	I [mm]	B [mm]	J [mm]	C [mm]	H [mm]	Kv
A830UY001	8	43	21	36	10	43	wr.17	6,6
A830UY002	10	46	23	45	13	77	wr.20	6,7
A830UY003	15	53	27	51	16	77	wr.25	12,7
A830UY004	20	60	30	67	20	95	wr.31	24,6
A830UY005	25	74	37	76	25	95	wr.38	48,5
A830UY006	32	84	42	85	29	95	wr.47	98
A830UY007	40	95	47	104	35	137	wr.54	140
A830UY008	50	109	54	120	43	137	wr.66	211



➤ Product specifications

A830

Ball valve, with female-female NPT threaded connections. In compliance with UL 258:2025 and FM Class 1140, suitable for fire protection applications with water. Made of DZR UNI EN 12165 CW724R low lead brass. Ball made of DZR UNI EN 12165 CW602N chrome plated brass. Full port. Steel lever handle with anti-corrosion treatment and red PVC coating. Stem with double O-Ring. Nut with anti-corrosion coating, with guarantee seal and hologram. Min. working temperature: 4 °C (areas exposed to low temperature shall be protected against freezing - NFPA13). Max. working pressure at 20 °C with water: 42 bar for 1/4", 3/8", 1/2", 3/4", 1", 1-1/4", 1-1/2"; 21 bar for 2".

⚠ Safety Warning. Installation, commissioning and periodical maintenance of the product must be carried out by qualified operators in compliance with national regulations and/or local standards. A qualified installer must take all required measures, including use of Individual Protection Devices, for his and others' safety. An improper installation may damage people, animals or objects towards which Giacomini S.p.A. may not be held liable.

♻ Package Disposal. Carton boxes: paper recycling. Plastic bags and bubble wrap: plastic recycling.

ℹ Additional information. For more information, go to giacomini.com or contact our technical assistance service. This document provides only general indications. Giacomini S.p.A. may change at any time, without notice and for technical or commercial reasons, the items included herewith. The information included in this technical sheet do not exempt the user from strictly complying with the rules and good practice standards in force.

♻ Product Disposal. Do not dispose of product as municipal waste at the end of its life cycle. Dispose of product at a special recycling platform managed by local authorities or at retailers providing this type of service.